

Components

- A. Protocol B2 instructions for total cyanide analysis of cassava products, particularly cassava flour.
- B. Plastic balance with a 100 mg weight in one spoon, for weighing 100 mg of powdered cassava product.
- C. Thirty (30) flat-bottomed plastic bottles with screw capped lids.
- D. Two (2) graduated 1 ml plastic pipettes.
- E. One hundred (100) **buffer/enzyme** papers, identified by a small black spot.
- F. One hundred (100) yellow **indicator** papers glued to strips of clear plastic. STORE IN FREEZER. Stable for one month only at room temperature.
- G. Colour chart with ten (10) shades of colour which correspond to 0-800 ppm total cyanide.
- H. Ten (10) pink **standard** papers with linamarin (ppm cyanide on label). STORE IN REFRIGERATOR.

Method

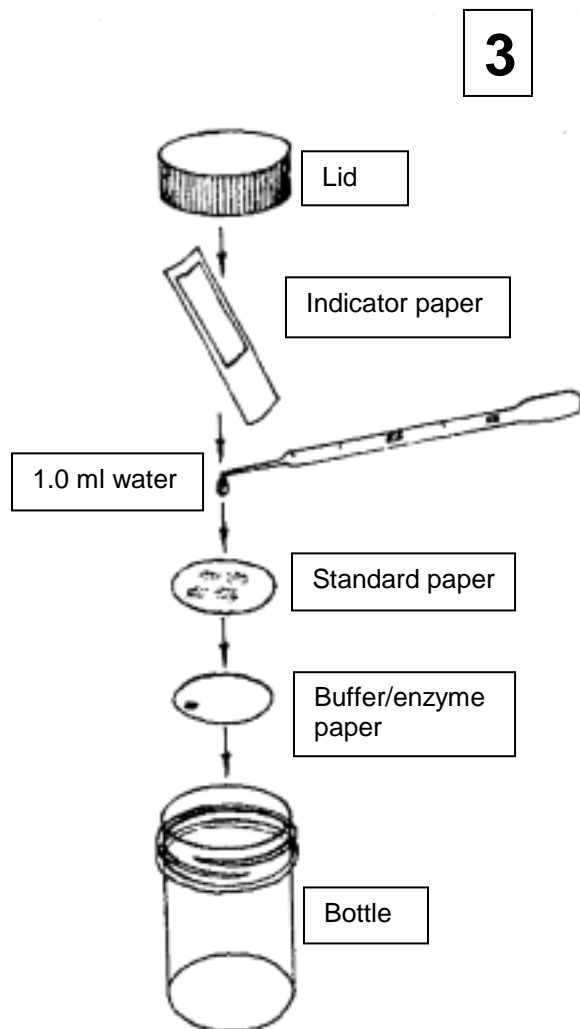
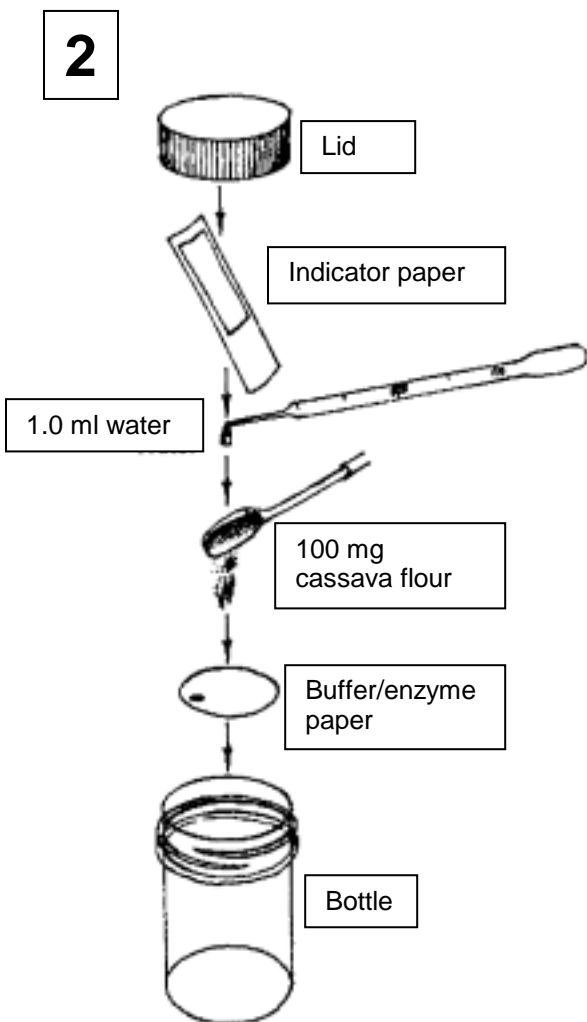
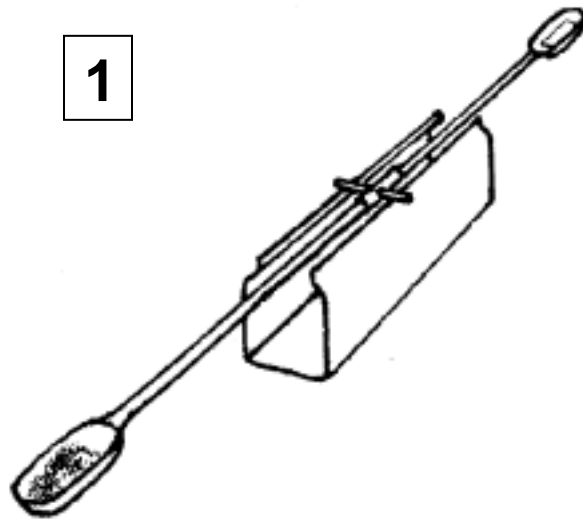
1. Follow sketch 1. Place the small portable balance on its U-shaped plastic mount so that it swings freely. It has a 100 mg weight glued inside one spoon. If the cassava product is large or has hard lumps, it must be ground into a powder using a pestle and mortar. Add the powdered cassava product evenly to the empty spoon until balance is achieved.
2. Follow sketch 2. Place a **buffer/enzyme** paper disc (identified by a black spot) in a flat-bottomed plastic bottle and pour 100 mg of powdered cassava product on top of it.
3. Add 1.0 ml of clean water using the plastic pipette and mix gently.
4. IMMEDIATELY add a yellow **indicator** paper attached to a plastic strip so that the paper does not touch the liquid in the bottle. When not in use STORE INDICATOR PAPERS IN FREEZER.
5. IMMEDIATELY close the bottle with a screw capped lid.
6. A positive and negative control should be run for each set of experiments.
 - a. For a negative control, prepare another sample as shown in sketch 2 but with no cassava product present.
 - b. For a positive control follow sketch 3. Place a **buffer/enzyme** paper disc in the bottle. Add a pink **standard** paper disc and then 1.0 ml water from a pipette and the yellow **indicator** paper. IMMEDIATELY close the bottle with a screw capped lid.
7. Allow the bottles to stand for 16-24 hour at room temperature.
8. Open the bottles and match the colour of the **indicator** papers against the shades of colour on the colour chart supplied.
9. Read from the colour chart the total cyanide content in ppm in the cassava product. Check that the negative control is zero and the positive control gives a colour equivalent to ppm on label.

THIS SECTION TO BE FOLLOWED IF YOU HAVE A SPECTROPHOTOMETER

10. For each sample, carefully remove the plastic backing sheet from the **indicator** paper.
11. Place the paper in a test tube and add 5.0 ml of water measured accurately.
12. Leave the test tube at room temperature for about 30 min with occasional gentle stirring.
13. Measure the absorbance at 510 nm of the solution, subtract the value of the negative control.
14. The total cyanide content in ppm is calculated by the equation¹
total cyanide content (ppm) = 396 x absorbance
15. The total cyanide content obtained for the same sample of cassava product, from both measurements 9 and 14 should be about the same. Also check the **standard** value agrees using both methods.

Troubleshooting

- The total cyanide content of the pink **standard** paper should be ± 10 ppm of that shown on label. If it is not then it is likely something is wrong with the **standard** paper.
- If the **indicator** paper is left at room temperature it gradually becomes darker and after one month its colour will be around 10 ppm on the colour chart.
- If the **indicator** paper has been left in bright sunlight it becomes bleached on one side and is no good.
- If you use a bottle which is not gas tight (e.g. the screw cap is cracked) then gas could escape and this would give a low result.



Reference

¹Bradbury, M. G., Egan, S. V. and Bradbury, J. H. (1999) Determination of all forms of cyanogens in cassava roots and cassava products using picrate paper kits. *J. Sci. Food Agric.*, 79, 593-601.

Correspondence

Konzo Prevention Group, Research School of Biology, Australian National University, 46 Sullivans Creek Rd, Acton, ACT, 2601, Australia. Email: konzo@anu.edu.au. Web: http://biology.anu.edu.au/hosted_sites/CCDN